

## Zippy Scaff-Mini Folding Scaffold Base Unit with Guardrail Pack Assembly Instructions

July 2016

### General

These Assembly instructions apply to assembly of the Base Unit with Guardrail Pack configuration of the Oldfields Advance Scaffold **Zippy Scaff-Mini**, where the Deck height is greater than 1.1m above ground level up to a maximum of 1.5m.

**Load rating** of the Zippy Scaff-Mini is **225kg maximum** = Light Duty Load in accordance with AS/NZS1576.1

**The Base Unit needs to be assembled first before components for the Guardrail Pack can be added**

### Base Unit Components

- Folding Base Unit Assembly (includes castors)
- Deck Unit (as part of the base unit assembly)

### Guardrail Pack Components

- Horizontal Brace x 4 qty
- Guardrail End Frames x 2 qty
- Outriggers (2m) x 2 qty or 4 qty, as appropriate

**Assemble the Base Unit as follows: (if not already done so)**

#### Step 1

Stand up Base unit assembly on hard, flat, level surface.

#### Step 2

Pull each of the end frames away from each other extending and opening up the assembly (See Fig.1).

#### Note:

If Zippy Scaff-Mini "sticks" whilst opening or closing, **DO NOT FORCE IT OPEN**; give the unit a gentle shake to free the braces.

For maximum stability ensure the castors are positioned with brake levers facing outwards, at right angles to the Deck.

#### Step 3

Push upwards at Pivot Arm hinges until pivot arms are straight and hinge locking mechanisms on each pivot are engaged (See Fig 2).

#### Step 4

Fit Deck onto to the required rung level ensuring that Deck hooks are supported by the rungs at the same level.

Insert deck on angle "diagonally" between frame uprights and rungs until hooks clear upright at other end, then slide Deck back to fit hooks onto rungs. Push Deck firmly down to locate hooks (it is intended to be a tight fit).

For use as a Base Unit, the Deck is positioned at typically at 2<sup>nd</sup> rung height, giving a typical Deck working height of 0.7m above ground level. (Deck may also be fitted to the lower rung level as required - See Fig. 3).

#### Step 5

Note: The Deck **MUST NOT** be fitted to top rungs, **UNLESS** the Guardrail Pack is fitted.

See the following Assembly Instructions for fitting attachment of Guardrail pack to Zippy Scaff-Mini

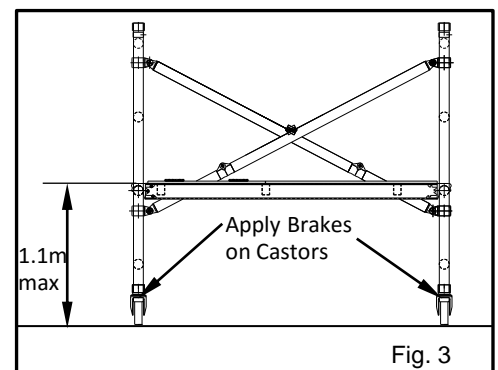
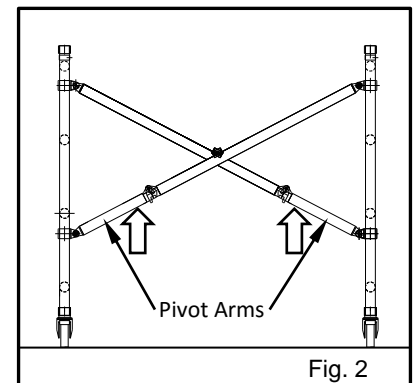
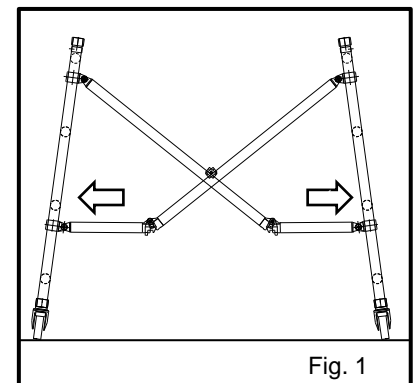
#### Step 5

Roll scaffold to desired location.

#### Step 6

Apply Brakes to all Castors.

Assembly of the Base Unit of the **Zippy Scaff-Mini Folding Scaffold** is now complete



## Attachment of Guardrail Pack to Zippy Scaff-Mini Folding Scaffold

July 2016

### Assembly Instructions

A maximum Deck height of 1.5m is achieved by assembling the Zippy Scaff-Mini with the Guardrail Pack

#### Guardrail Pack Components

- Guardrail Frame x 2 qty
- Horizontal (Handrail) Brace x 4 qty
- Outriggers (2m) x 2qty or 4 qty as appropriate

#### With Base Unit already assembled,

Follow steps given below:

##### Step 1

Fit Guardrail End Frames to top of Base End Frames . Engage locking clips by rotating clips around tube the until locking pin locates into the hole in the side of the upright tube.

Apply brakes if not already done so..

##### Step 2

Attach Horizontal (Handrail) Braces to the uprights of Guardrail Frames with Brace Hooks facing outwards. These Braces now act as Guardrail and Midrail. Attachment of Braces can be done from ground or from deck positioned typically at 0.3m above ground.-See Fig 5

##### Step 3

Move Deck to top rung of the Base frame, to achieve or the maximum Deck height of 1.5m.

##### Step 4

For Platform height of 1.5m, Outriggers are required to be attached to Frame Uprights. Where length of Base unit is against a wall, only two Outriggers are required see Fig 7a. Otherwise where working away from a wall, Outriggers are required to be attached at all four corners of the scaffold See Fig 7b.

Attach top of Outrigger Legs to each frame upright using clamp assembly and adjust slope of Outrigger Leg so that it is at approx. 30 degrees from vertical and that foot makes firm contact with the ground, as shown in Fig 6.

Attach the Outrigger Arm between Leg & Frame Upright, as shown. Tighten all Wing Nuts on the Outrigger ass'y.

##### Step 6

Check that Brakes are applied to all Castors before use.

Assembly of the **Zippy Scaff-Mini Folding Scaffold** is now complete.

### ACCESS

Access to the working Deck level is via the Hatch Door opening See Fig 6 & 7 . Open hatch, climb frame rungs through to working Deck level from inside the tower. Close Hatch when in use.

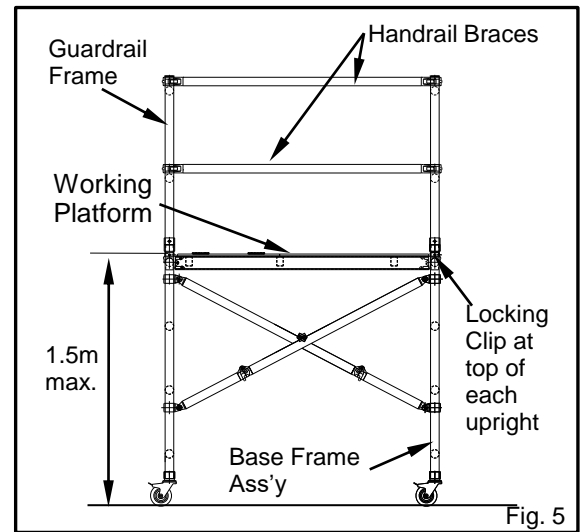


Fig. 5

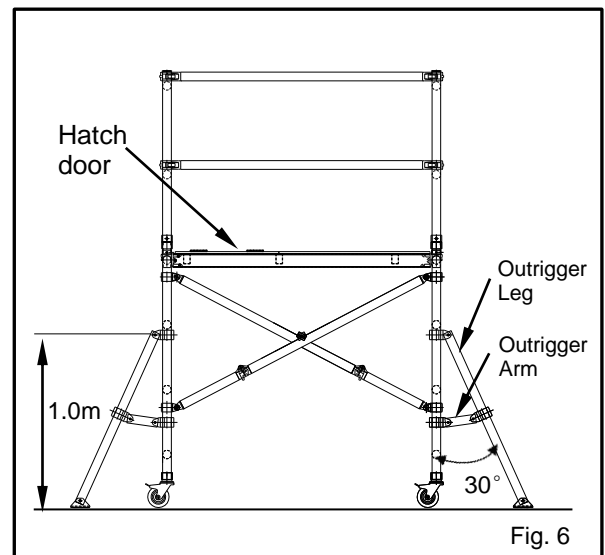


Fig. 6

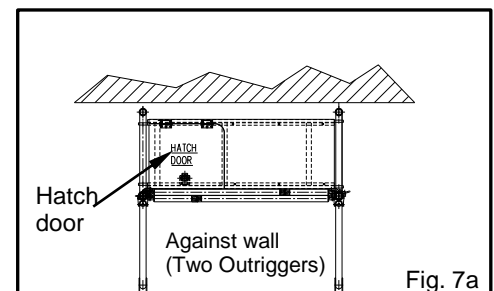


Fig. 7a

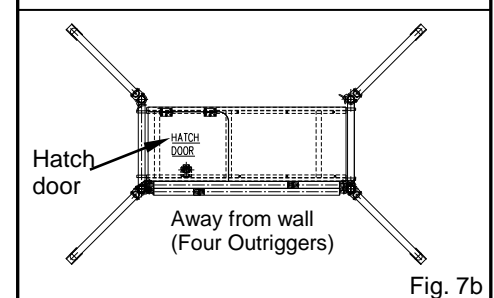


Fig. 7b

**DO NOT CLIMB UP THE OUTSIDE OF THE SCAFFOLD TO ACCESS THE WORKING DECK LEVEL**

## **Zippy Scaff-Mini Folding Scaffold** **Base Unit with Guardrail Pack Assembly Instructions cont'd**

July 2016

### **LOAD RATING**

**Total Load on Zippy Scaff-Mini with Guardrail Pack must not exceed 225kg.**

(=Light Duty Live Load in accordance with AS/NZS1576.1)

Maximum of ONE Working level.

Maximum Deck Height with Guardrail Pack configuration = 1.5m.

### **To DISMANTLE Zippy Scaff-Mini with Guardrail PACK**

Generally dismantling is the reverse order of assembly

- Lower Work Deck to 0.3m level
- Remove Guardrail Pack components. (eg. Horizontal Braces and Guardrail frames).
- Remove Outriggers
- Remove work Deck and unlock all castors.
- Release the locking clip on pivot arms, by pressing the lever at the hinge and allow the pivot arms to fold.
- Stand beside **Zippy Scaff-Mini** Base Unit and pull the frames in towards the centre.

KEEP FINGERS CLEAR OF PINCH POINTS.

Interconnect bottom rungs with the formed wire Deck carry cradle.

Insert deck onto carry Cradle

Unit can now be rolled away otherwise apply brakes to prevent rolling

### ***RECOMMENDED SAFE WORK PRACTICES WHEN USING THE OLDFIELDS ADVANCE Zippy Scaff-Mini Folding Scaffold INCLUDE, BUT ARE NOT LIMITED TO THE FOLLOWING:***

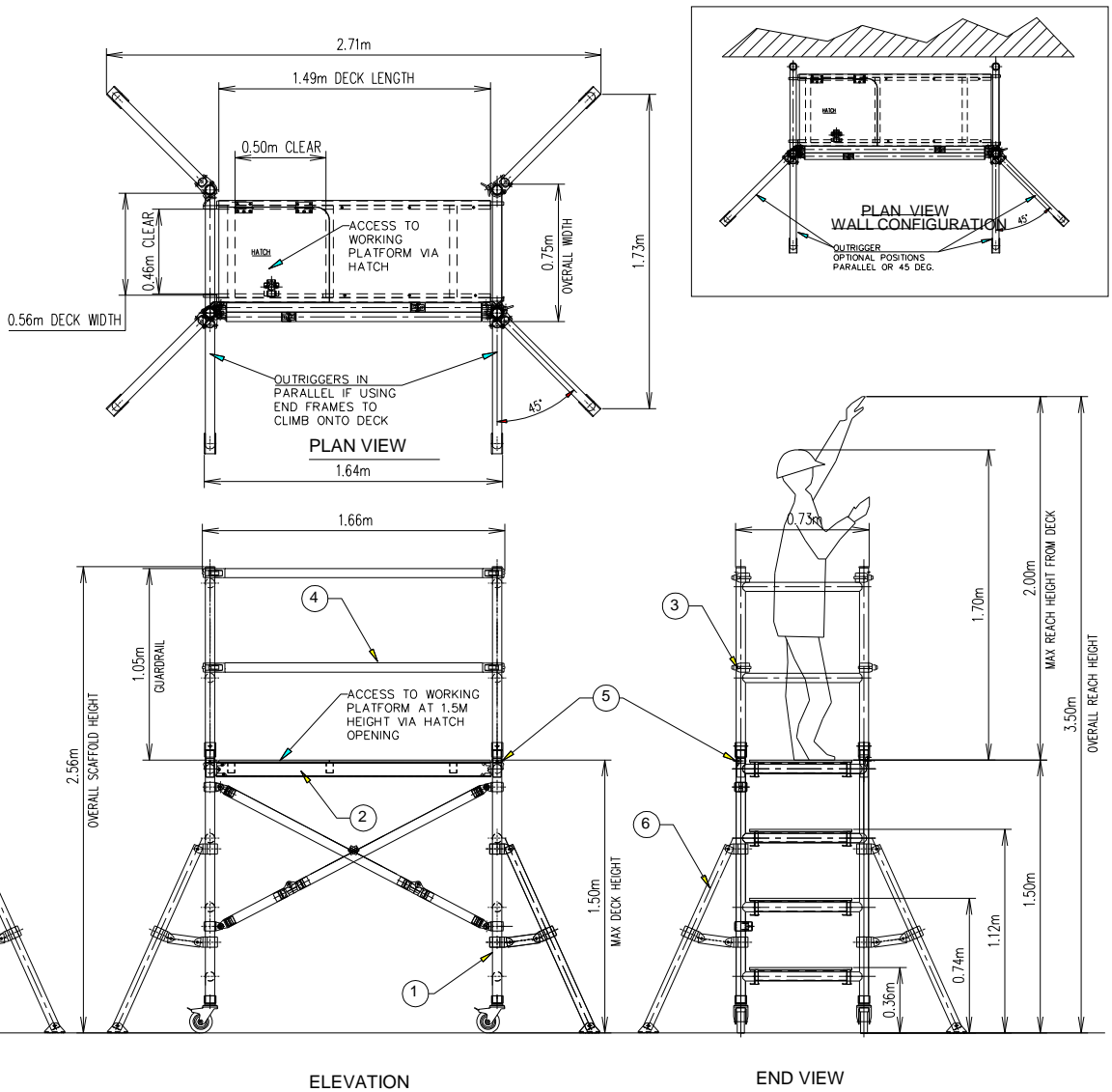
- **Zippy Scaff-Mini Folding Scaffold** must not be used as a working platform, alongside stair voids or at the edge of mezzanine floors, on balconies, unprotected slab edge, penetration or step down, under any circumstances.
- **Zippy Scaff-Mini Folding Scaffold** must be used on a hard, flat, level surface.
- Avoid power lines (minimum clearance 4m...Consult your local electricity supply authority).
- Keep **Zippy Scaff-Mini Folding Scaffold** Deck and surrounding work area clear of material and debris.
- Inspect your **Zippy Scaff-Mini Folding Scaffold** for damage prior to use. Do not use if damaged. Consult Oldfields Advance Scaffold for spares or repairs.
- When moving **Zippy Scaff-Mini Folding Scaffold**, keep a firm hold of frames unless unit is fully opened and castors are locked.
- Wear and use appropriate personal protective equipment for the job being done.
- Keep fingers (and other body parts) clear of potential pinch points (e.g. ends of braces, under Deck hooks, etc) whilst opening or closing **Zippy Scaff-Mini Folding Scaffold**.
- Do not exert significant sideward force (pushing / pulling) at right angles to the Deck (unless it is tied to a secure structure).
- Do not exert excessive pulling force parallel to the Deck (unless it is tied to a secure structure).
- Castors should be locked at all times unless **Zippy Scaff-Mini Folding Scaffold** is being relocated.
- **Zippy Scaff-Mini Folding Scaffold** must not be relocated while any person or objects are on the Deck.
- Do not attach banners, signs or containment sheeting to **Zippy Scaff-Mini Folding Scaffold** unless it is tied to a secure structure.
- Remove any build up of paint / plaster etc. especially around frame pivots and connections.
- All couplers and fittings used (for ties etc) must be compatible with 50.8 mm O/D tube.
- Use correct lifting techniques when loading / unloading **Zippy Scaff-Mini Folding Scaffold**; bend knees, not your back.
- Do not exceed the rated Working Load of the scaffold (225kg).

**REMEMBER: THINK SAFETY FIRST AND IF IN DOUBT... ASK YOUR SUPPLIER**

Oldfields Advance Scaffold Pty Ltd ABN 40 088 478 399  
8 Farrow Road, Campbelltown NSW 2560 | t: 02 4645 0700 | f: 02 4627 0999  
www.oldfields.com.au

## Zippy Scaff-Mini Folding Scaffold Base Unit with Guardrail Pack Assembly Instructions cont'd

July 2016



END VIEW

ELEVATION

END VIEW

6	OUTRIGGER 1.2m	4	A16-OUT12
5	FRAME CLIPS	4	CL03
4	ZIPPY SCAFF-MINI-HORIZONTAL BRACE	4	AL-FSBRAH-M
3	ZIPPY SCAFF-MINI-GUARDRAIL FRAME	2	AL-FSPGR
2	ZIPPY SCAFF-MINI HATCH DECK	1	AL-FSDHA-M
1	ZIPPY SCAFF-MINI FOLDING SCAFFOLD BASE UNIT	1	AL-FSASC-M
ITEM	DESCRIPTION	QTY	PART NO.
ZIPPY SCAFF - MINI UNIT - 1.5m TOP PLATFORM COMPONENTS LIST			

**REMEMBER: THINK SAFETY FIRST AND IF IN DOUBT... ASK YOUR SUPPLIER**